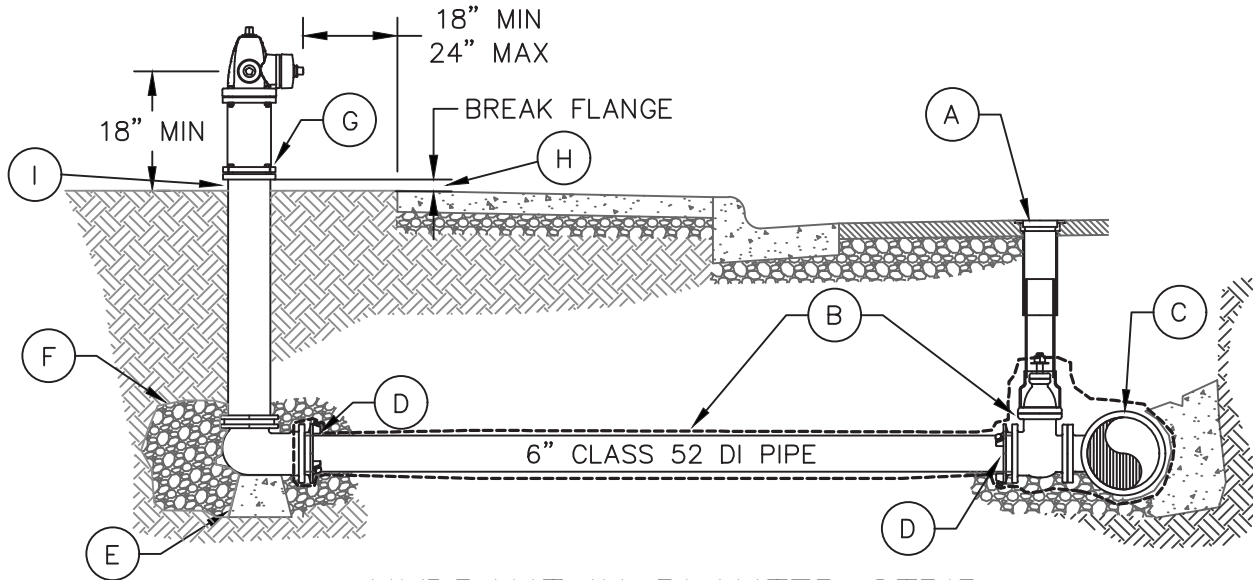
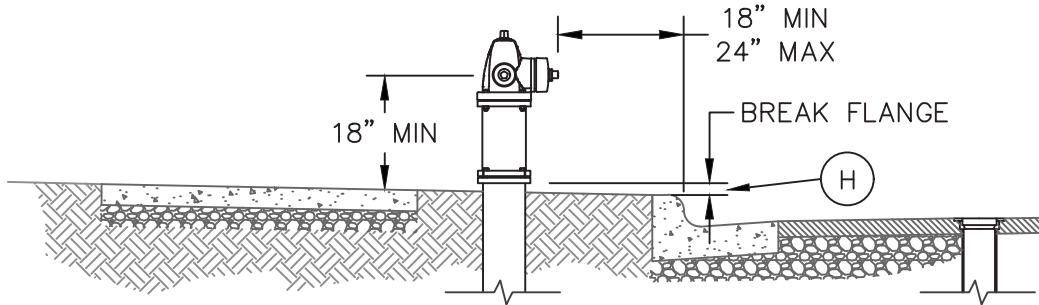


HYDRANT BEHIND CURBTIGHT SIDEWALK



HYDRANT IN PLANTER STRIP



KEYNOTES:

- | | |
|---------------------------------------------------------------------------------------------------------------------------------------------------------------------------------------------------------------------------------------------------------------------------------------------------------------------------------------------------------------------------------------------------------------------------------------------------------------------------------------------------------------------------------------------------------------------------------------------------------------------|------------------------------------------------------------------------------------------------------------------------------------------------------------------------------------------------------------------------------------------------------------------------------------------------------------------------------------------------------------------------------------------------------------------------------------------------------------------------------------------------------------|
| <p>A. VALVE BOX ASSEMBLY PER DETAIL 402.</p> <p>B. 6" GATE VALVE. WRAP TEE, VALVE, AND PIPE TO THE FOOT VALVE WITH 3 LAYERS OF V-BIO® POLYETHYLENE ENCASUREMENT PRIOR TO BACKFILLING. EXTEND PE WRAP A MINIMUM OF 6" BEYOND TEE. SECURE TO PIPE WITH 10 MIL PVC PIPE WRAP TAPE. SEE DETAIL 301. DO NOT WRAP HYDRANT BARREL.</p> <p>C. TEE. NEW CONSTRUCTION TEE SHALL BE MJ X MJ X FLG. CONNECTIONS TO EXISTING MAINS SHALL BE TAPPING TEE PER DETAIL 302. THRUST BLOCK REQUIRED ONLY FOR TAPPING TEE.</p> <p>D. MECHANICAL JOINT WITH GRIP FOLLOWER. ALL JOINTS IN HYDRANT ASSEMBLY SHALL BE FULLY RESTRAINED.</p> | <p>E. 12"x12"x8" CONCRETE PIER BLOCK ON UNDISTURBED NATIVE SOIL.</p> <p>F. 1-1/2" CLEAN DRAIN ROCK POCKET. 4 CUBIC FEET MINIMUM. MINIMUM 6" ABOVE HYDRANT DRAIN OPENING. WRAP WITH GEOTEXTILE FABRIC PER TVWD STANDARDS.</p> <p>G. MAINTAIN MINIMUM CLEAR SPACE IN ALL DIRECTIONS PER DETAIL 503. PLACEMENT OF CONCRETE AROUND HYDRANTS IS PROHIBITED.</p> <p>H. FOLLOW MANUFACTURER RECOMMENDATIONS FOR BURY LINE AND BREAK FLANGE MAX AND MIN.</p> <p>I. NO RISER KITS ON NEW HYDRANT INSTALLATIONS.</p> |
|---------------------------------------------------------------------------------------------------------------------------------------------------------------------------------------------------------------------------------------------------------------------------------------------------------------------------------------------------------------------------------------------------------------------------------------------------------------------------------------------------------------------------------------------------------------------------------------------------------------------|------------------------------------------------------------------------------------------------------------------------------------------------------------------------------------------------------------------------------------------------------------------------------------------------------------------------------------------------------------------------------------------------------------------------------------------------------------------------------------------------------------|

Tualatin Valley Water District



1850 SW 170th Ave. Beaverton, OR 97003
(503) 848-3000 www.tvwd.org

DESIGNED: KLS

APPROVED: NWA

SCALE: NONE

**FIRE HYDRANT STANDARD
INSTALLATION**

DATE: 3/1/2018

DETAIL

502