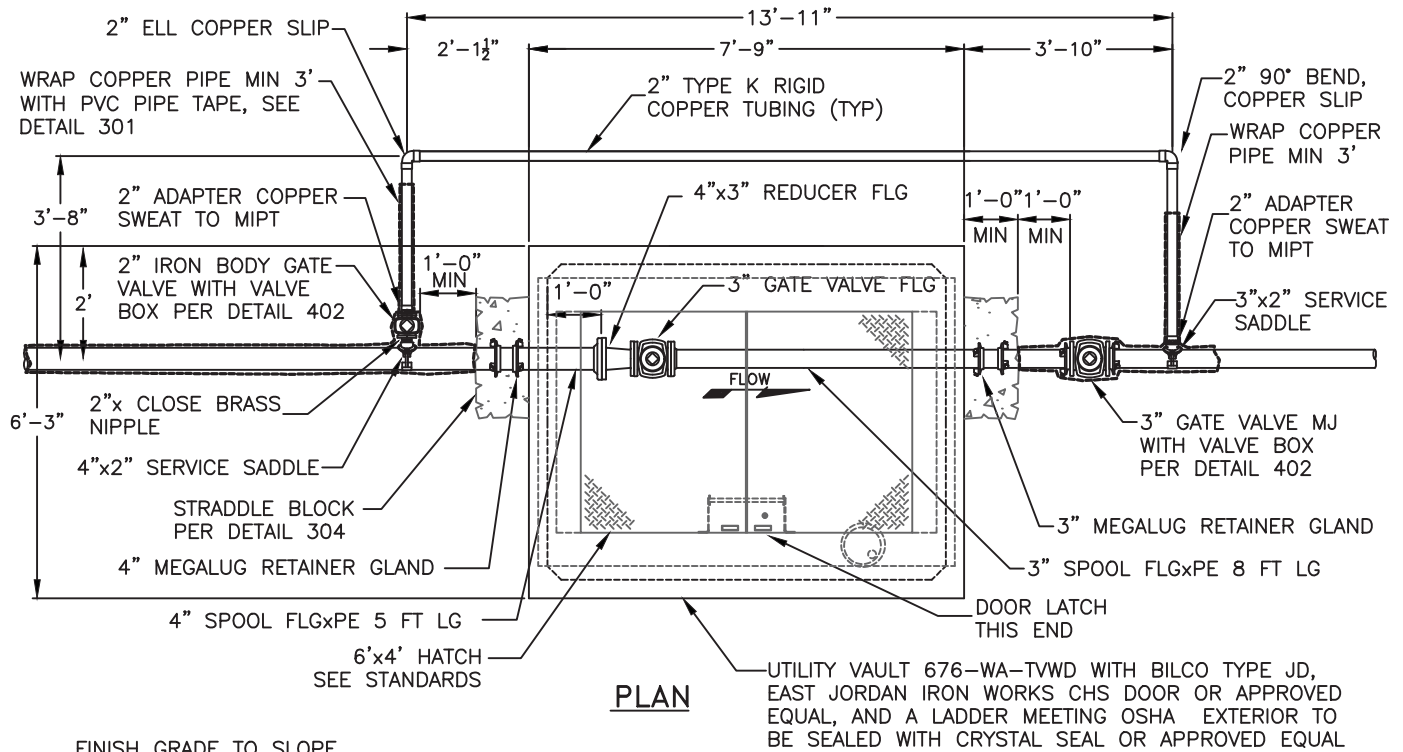


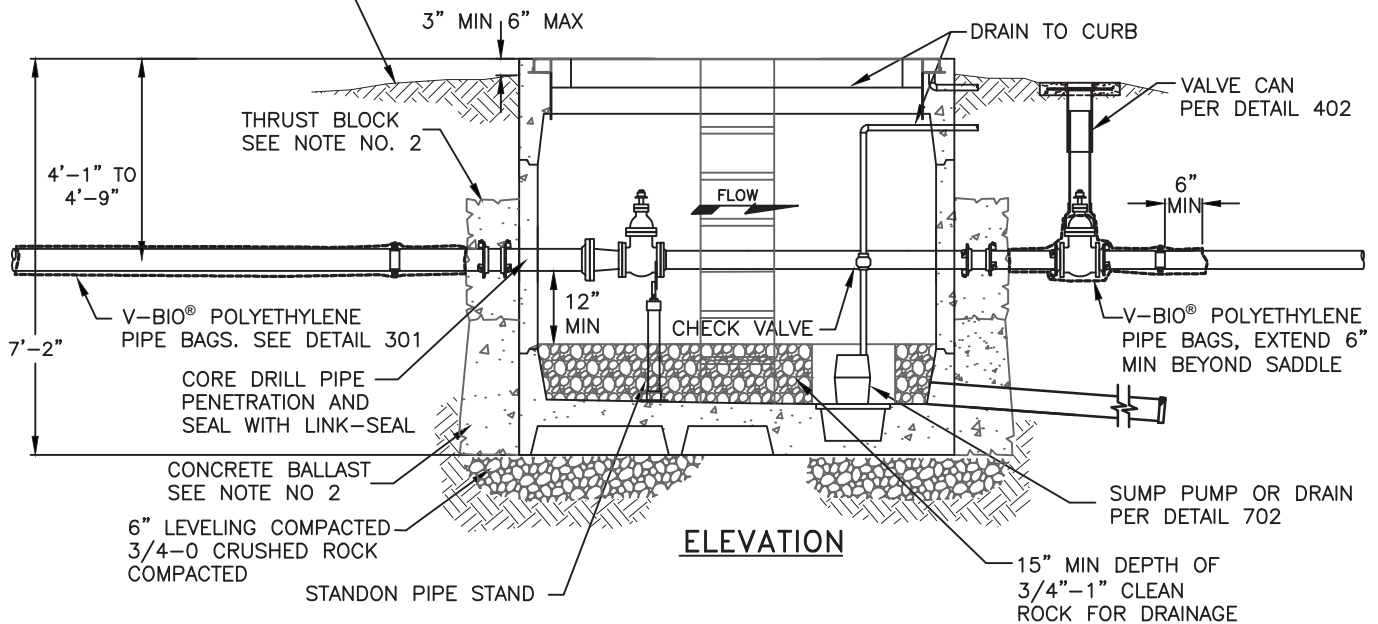
STREET SIDE

CUSTOMER SIDE



PLAN

FINISH GRADE TO SLOPE AWAY FROM VAULT LID



ELEVATION

- NOTES:**
1. CONTRACTOR TO SEAL ALL OPENINGS IN VAULT WITH NON SHRINK GROUT.
 2. CONTRACTOR TO INSTALL CONCRETE BALLAST 3 CU YD MIN AROUND BASE OF VAULT IN AREAS WHERE FLOODING OR HIGH GROUND WATER EXISTS.
 3. ALL MATERIALS SHALL BE AS NAMED OR EQUAL. SUBMIT ALTERNATES FOR APPROVAL.
 4. PAINT INTERIOR WALLS AND LID BOTTOM WHITE.
 5. ORS 92.044(7) PROHIBITS LOCATING ANY UTILITY INFRASTRUCTURE WITHIN 1-FT. OF A SURVEY MONUMENT. DEVELOPER SHALL PAY FOR ANY RELOCATION OF SERVICES AND/OR METER BOXES FOUND TO FALL WITHIN 1-FT. OF A SURVEY MONUMENT LOCATION.

Tualatin Valley Water District

1850 SW 170th Ave. Beaverton, OR 97003
(503) 848-3000 www.tvwd.org

DESIGNED: KLS

APPROVED: NWA

SCALE: NONE

**3" METER
INSTALLATION
BY CONTRACTOR**

DATE: 3/1/2018

DETAIL

606