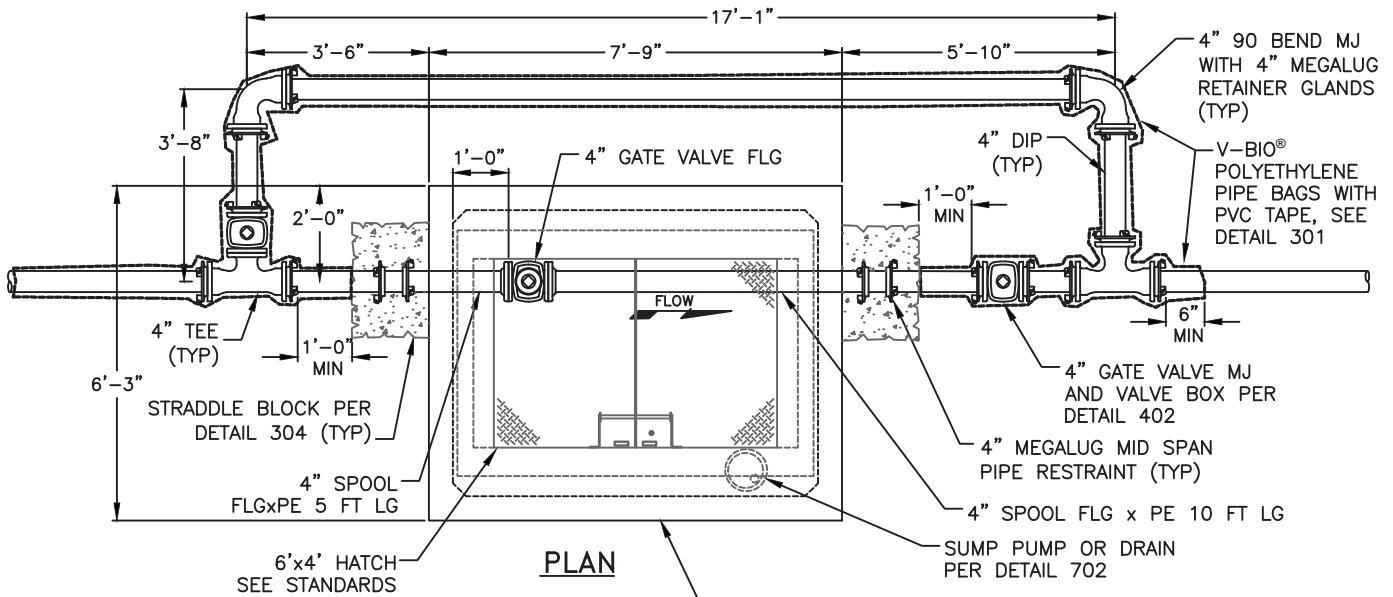


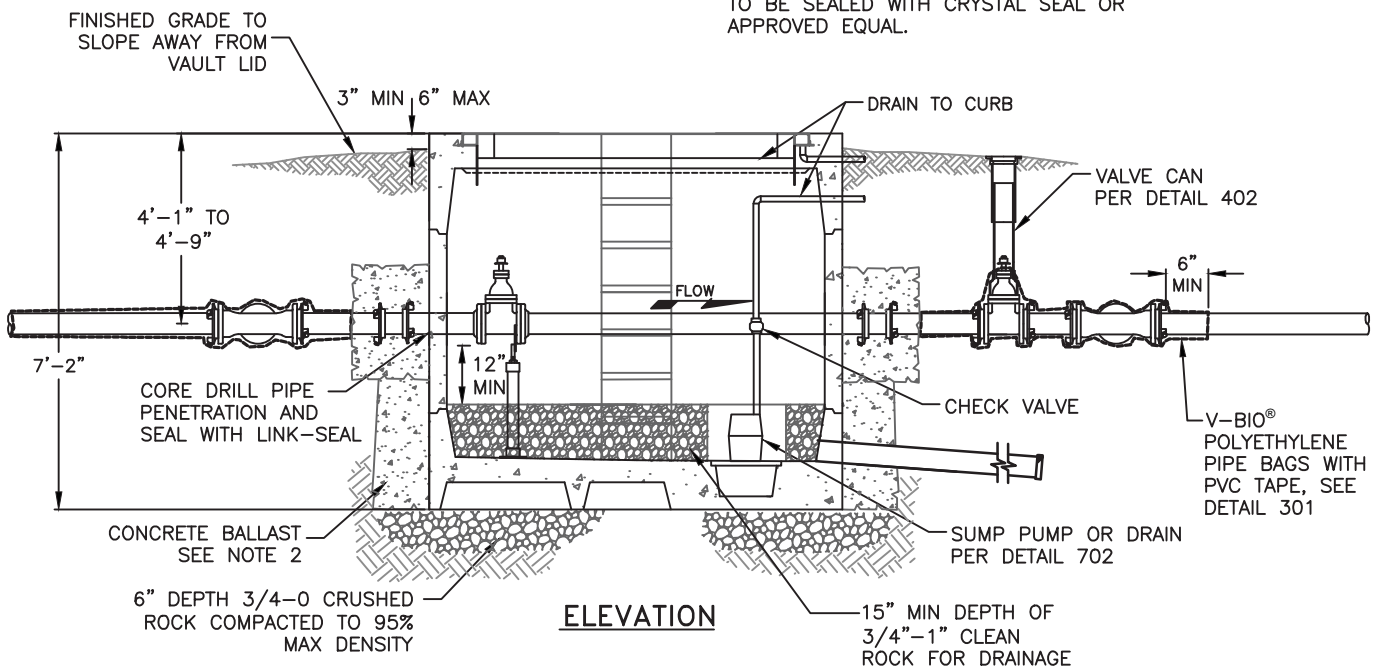
STREET SIDE

CUSTOMER SIDE



PLAN

UTILITY VAULT 687-LA WITH BILCO JD, EAST JORDAN CHS DOOR OR APPROVED EQUAL, AND A LADDER MEETING OSHA REQUIREMENTS (SEE DETAIL 701). SEE NOTE 1. EXTERIOR TO BE SEALED WITH CRYSTAL SEAL OR APPROVED EQUAL.



ELEVATION

NOTES:

1. CONTRACTOR TO SEAL ALL OPENINGS IN VAULT WITH NON SHRINK GROUT.
2. CONTRACTOR TO INSTALL CONCRETE BALLAST 3 CU YD MIN AROUND BASE OF VAULT IN AREAS WHERE FLOODING OR HIGH GROUND WATER EXISTS.
3. ALL MATERIALS SHALL BE AS NAMED OR EQUAL. SUBMIT ALTERNATES FOR APPROVAL.
4. PAINT INTERIOR WALLS AND LID BOTTOM WHITE.
5. ORS 92.044(7) PROHIBITS LOCATING ANY UTILITY INFRASTRUCTURE WITHIN 1-FEET OF A SURVEY MONUMENT. DEVELOPER SHALL PAY FOR ANY RELOCATION OF SERVICES AND/OR METER BOXES FOUND TO FALL WITHIN 1-FEET OF A SURVEY MONUMENT LOCATION.

Tualatin Valley Water District

1850 SW 170th Ave. Beaverton, OR 97003
 (503) 848-3000 www.tvwd.org

DESIGNED: KLS

APPROVED: NWA

SCALE: NONE

4" METER
 INSTALLATION
 BY CONTRACTOR

DATE: 3/1/2018

DETAIL

607