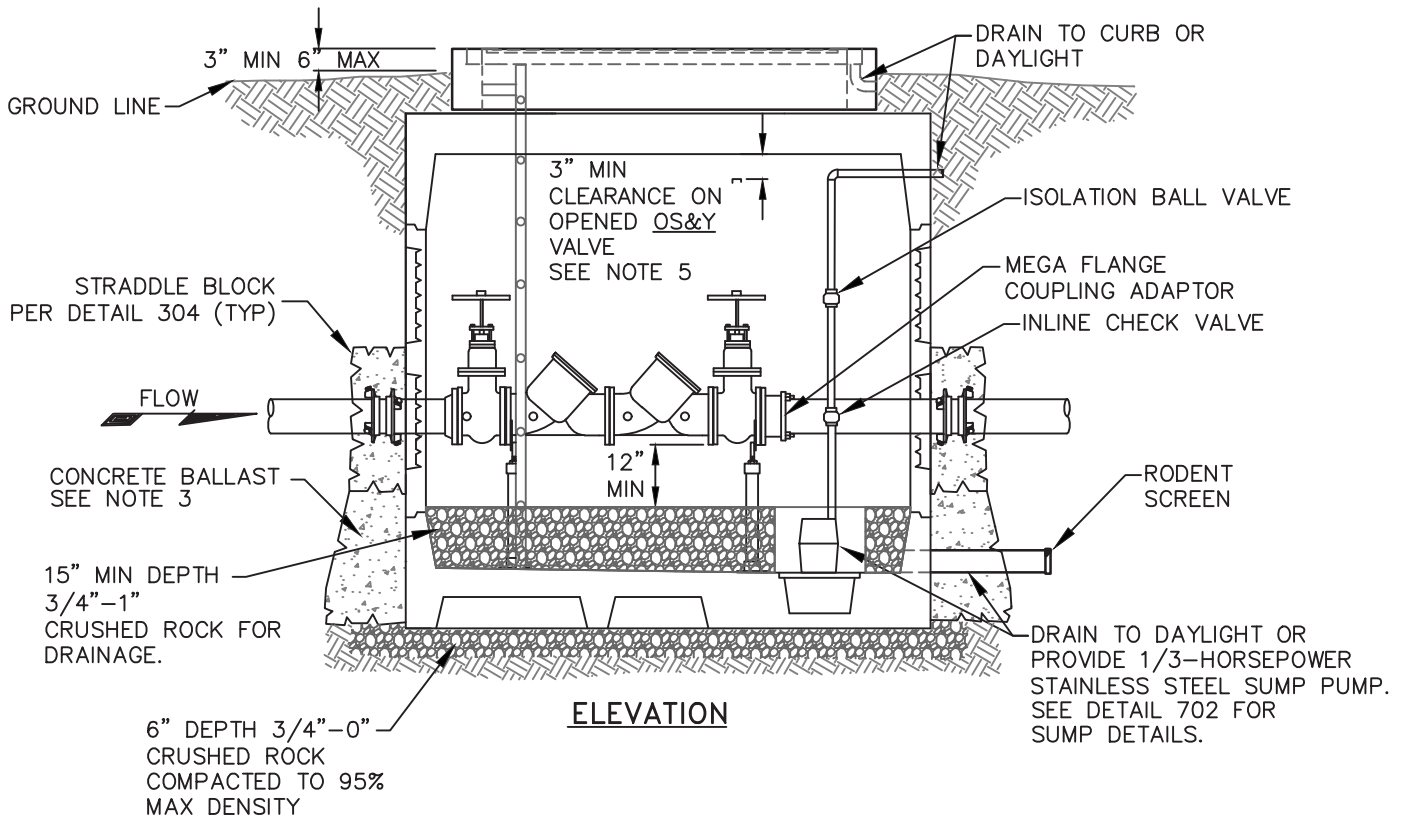


PLAN



ELEVATION

SIZE	UTILITY VAULT *	BILCO DOOR *
3	660-WA	J-5AL
4	577-WA	J-5AL
6	676-WA	J-5AL
8	687-WA	JD-3AL
10	5106-LA	JD-3AL

* "OR EQUAL"

NOTES:

1. REFER TO OAR'S FOR ALL CLEARANCES AND TO OHA FOR LIST OF APPROVED ASSEMBLIES
2. CONTRACTOR TO SEAL ALL OPENINGS IN VAULT WITH NON SHRINK GROUT
3. CONTRACTOR TO INSTALL CONCRETE BALLAST 3 CU YDS MIN AROUND BASE OF VAULT WHERE FLOODING OR HIGH GROUND WATER EXIST
4. THRUST BLOCK 1'-0" MIN THICKNESS
5. FOR USE ON FIRE SERVICE LINE.

Tualatin Valley Water District

1850 SW 170th Ave. Beaverton, OR 97003
(503) 848-3000 www.tvwd.org

DESIGNED: KLS

APPROVED: NWA

SCALE: NONE

DOUBLE CHECK VALVE ASSEMBLY OR DOUBLE CHECK DETECTOR ASSEMBLY

DATE: 3/1/2018

DETAIL

801