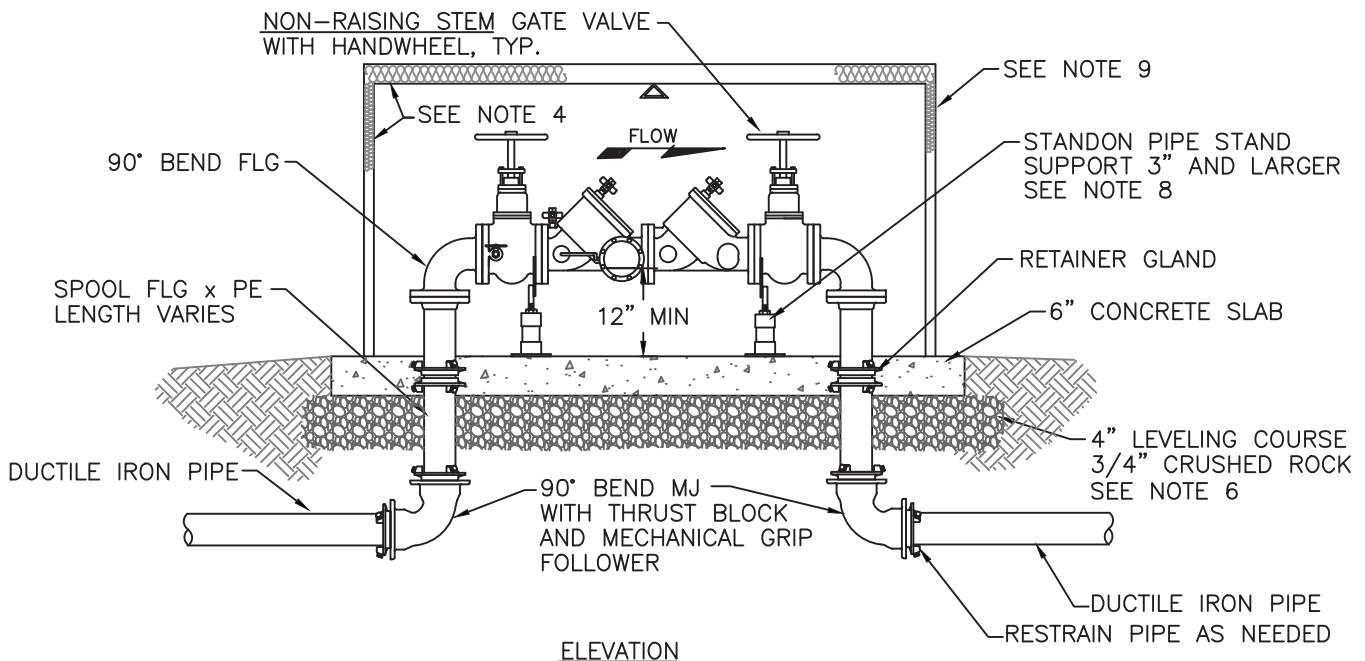


PLAN



ELEVATION

NOTES:

1. REFER TO OAR'S FOR ALL CLEARANCES AND TO OHA FOR LIST OF APPROVED ASSEMBLIES
2. REDUCED PRESSURE BACKFLOW ASSEMBLY SHALL BE INSTALLED IN A LOCATION APPROVED BY TVWD
3. REDUCED PRESSURE BACKFLOW ASSEMBLY SHALL BE INSTALLED HORIZONTAL AND PLUMB
4. INSULATE BLDG. AND/OR HAVE A HEAT SOURCE TO KEEP ENCLOSURE AT 40°F (NFPA 13-4-5.4.1.1).
5. ENCLOSURE SHALL INCLUDE A BORE SIGHTED DRAIN TO DAYLIGHT CAPABLE OF DRAINING A FULL RELIEF VALVE DISCHARGE
6. 4" 3/4"-0" COMPACTED GRAVEL LEVELING COURSE
7. A DOOR OR OTHER APPROVED ACCESS SHALL BE PROVIDED
8. ALL ASSEMBLIES 2 1/2" AND LARGER SHALL BE FLANGED
9. ALL STRUCTURES TO COMPLY WITH LOCAL BUILDING CODES
10. A REDUCED PRESSURE DETECTOR ASSEMBLY MAY REQUIRE ADDITIONAL CLEARANCES

Tualatin Valley Water District

1850 SW 170th Ave. Beaverton, OR 97003
(503) 848-3000 www.tvwd.org

DESIGNED: KLS

APPROVED: NWA

SCALE: NONE

**REDUCED PRESSURE
BACKFLOW ASSEMBLY
CUSTOMER OWNED
ABOVE GROUND**

DATE: 3/1/2018

DETAIL

802